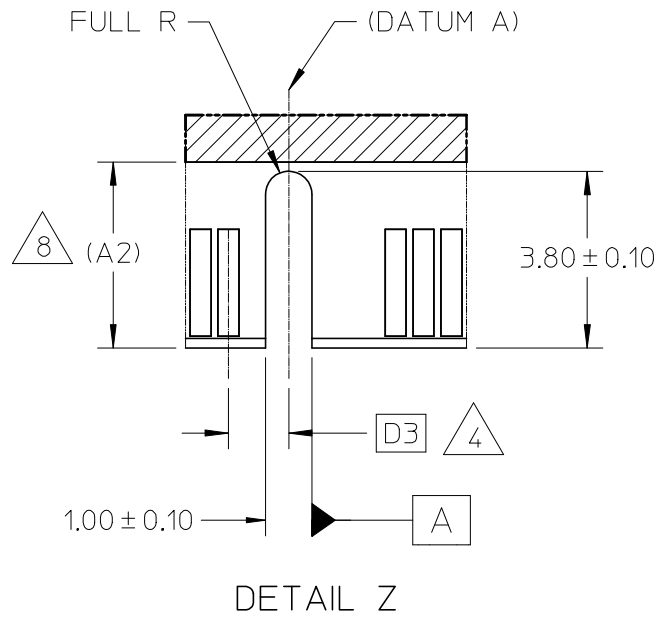
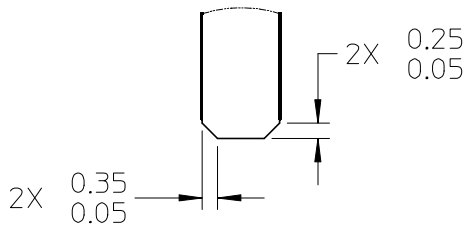


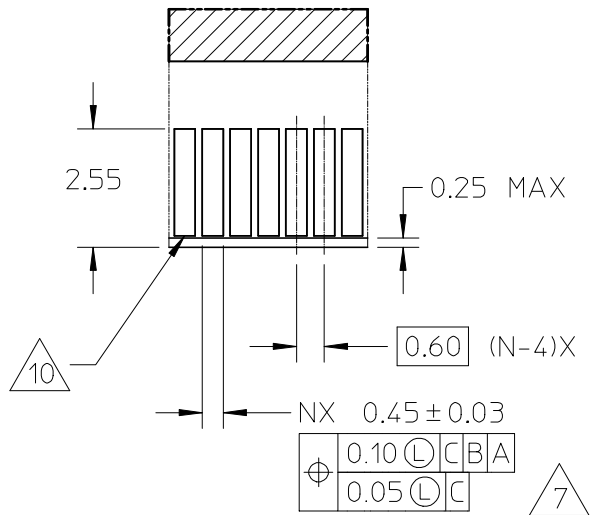
VIEW A-A



DETAIL Z



DETAIL X
(OPTIONAL)



DETAIL Y

JEDEC SOLID STATE PRODUCT OUTLINE	TITLE 244 PIN DDR2/DDR3 MINI DIMM 0.60 mm LEAD CENTERS	ISSUE C	DATE FEB 2008	MO-244	SHEET 2 OF 7
-----------------------------------------	--------------------------------------------------------------	------------	---------------------	--------	-----------------

COMMON DIMENSION TABLE				
SYMBOL	MIN	NOM	MAX	NOTES
A1	6.00 BASIC			
A2	4.00	--	--	5.8
A3	20.00 BASIC			
A4	10.00 BASIC			
D	81.85	82.00	82.15	
D1	39.60 BASIC			
D2	78.00 BASIC			
e1	38.40 BASIC			
e2	33.60 BASIC			
N	244			
ISSUE	A			
REF	14-057			
NOTES	1,2,3			

VARIATIONS							
	AA			AB			
SYMBOL	MIN	NOM	MAX	MIN	NOM	MAX	NOTES
A	29.85	30.00	30.15	29.85	30.00	30.15	
D3	1.30 BASIC			2.30 BASIC			4
D4	1.30 BASIC			2.30 BASIC			
D5	1.90 BASIC			2.90 BASIC			
E	--	--	3.80	--	--	3.80	5
ISSUE	A						
REF	14-057						
NOTES	1,2,3						



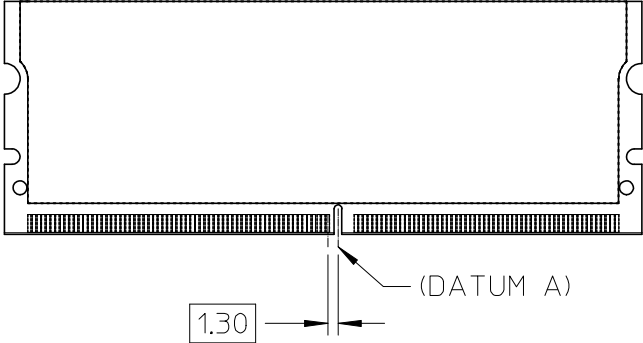
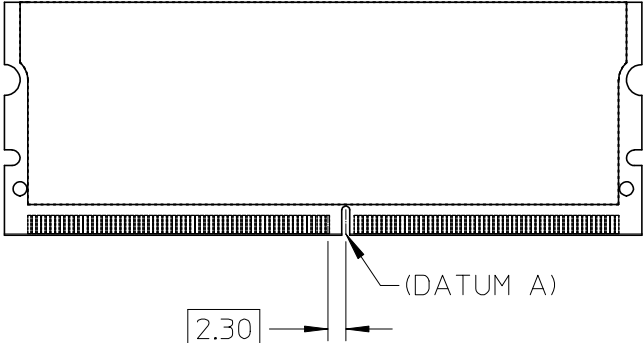
VARIATIONS							
	BA			BB			
SYMBOL	MIN	NOM	MAX	MIN	NOM	MAX	NOTES
A	29.85	30.00	30.15	29.85	30.00	30.15	
D3	1.30 BASIC			2.30 BASIC			4
D4	1.30 BASIC			2.30 BASIC			
D5	1.90 BASIC			2.90 BASIC			
E	--	--	6.45	--	--	6.45	5
ISSUE	B						
REF	14-072						
NOTES	1,2,3						

VARIATIONS							
	CA			CB			
SYMBOL	MIN	NOM	MAX	MIN	NOM	MAX	NOTES
A	29.85	30.00	30.15	29.85	30.00	30.15	
D3	1.30 BASIC			2.30 BASIC			4
D4	1.30 BASIC			2.30 BASIC			
D5	1.90 BASIC			2.90 BASIC			
E	--	--	7.25	--	--	7.25	5
ISSUE	B						
REF	14-072						
NOTES	1,2,3						

JEDEC SOLID STATE PRODUCT OUTLINE	TITLE 244 PIN DDR2/DDR3 MINI DIMM 0.60 mm LEAD CENTERS	ISSUE C	DATE FEB 2008	MO-244	SHEET 4 OF 7
-----------------------------------------	--------------------------------------------------------------	------------	---------------------	--------	-----------------

MECHANICAL KEYING

(FRONT VIEWS)

POWER SUPPLY	
	
DDR2 1.8 V	
DDR3 1.5 V	

NOTES :

1. DIMENSIONING AND TOLERANCING CONFORM TO ASME Y14.5M-1994.
2. TOLERANCES ON ALL DIMENSIONS ± 0.15 UNLESS OTHERWISE SPECIFIED.
3. ALL DIMENSIONS ARE MM.

4 APPLICATION NOTE :
VARYING THE POSITION OF THE NOTCH IDENTIFIES THE OPERATIONAL VOLTAGE: 1.8 VOLT (xA). 1.5 VOLT (xB).

5 DIMENSIONS APPLICABLE WHEN COMPONENTS MOUNTED ON BOTH SIDES.

6 CARD THICKNESS APPLIES ACROSS TABS AND INCLUDES PLATING AND/OR METALIZATION.

7 APPLICATION NOTE :
RECOMMENDED PLATING FOR CONTACT PADS ARE ;
1) PREFERABLE PLATING : ELECTROLYTIC GOLD PLATING 0.76 MICROMETERS MINIMUM OVER ELECTROLYTIC NI 2.00 MICROMETERS MINIMUM.
2) ALTERNATIVE PLATING : GOLD PLATING 0.05-0.75 MICROMETERS OVER NI 2.00 MICROMETERS MINIMUM MUST USE AN ELECTRONIC CONTACT GRADE CORROSIVE BARRIER LUBRICANT.

8 BORDER OF COMPONENT AREA.

9 THE JC-45 COMMITTEE CONTROLS THE INFORMATION IN THIS COLUMN.
IT IS SHOWN HERE FOR REFERENCE ONLY, AND IS SUBJECTED TO CHANGE.

10 APPLICATION NOTE :
EDGE OF CONTACT PADS SHALL BE FREE OF BURRS AND EXTERNAL TIE BARS.

11 THE ADDITION OF THIS BEVEL IS A FABRICATION OPTION AND IS NOT REQUIRED.
THE BEVEL AIDS THE INSERTION OF THE MODULE INTO THE CONNECTOR.
THE BEVEL IS NOT TO HIT THE PLATED CONTACTS.

12 PATENT CLAIM :
IT HAS BEEN STATED THAT U.S. PATENT NO. 5,227,664 (HELD BY HITACHI) MAY BE RELATED TO CERTAIN IMPLEMENTATIONS OF THIS PACKAGE OUTLINE.

JEDEC SOLID STATE PRODUCT OUTLINE	TITLE 244 PIN DDR2/DDR3 MINI DIMM 0.60 mm LEAD CENTERS	ISSUE C	DATE FEB 2008	MO-244	SHEET 6 OF 7
-----------------------------------------	--------------------------------------------------------------	------------	---------------------	--------	-----------------

Change Record

If the changes involves any words added or deleted (excluding deletion of accidentally repeated words), the change is included. Punctuation changes may or may not be included.

Initial Issue : A	Date : APRIL 2004	Item : JC11.14-057
-------------------	-------------------	--------------------

Revision History

Issue : B	Date : DECEMBER 2004	Item : JC11.14-072 & 14-075
-----------	----------------------	-----------------------------

Location :	Change from :	Change to :
PAGE 2	1.00±0.05	1.00±0.10
PAGE 2	NEW HEIGHT VARIATIONS	BA, BB, CA, CB

Issue : C	Date : FEBRUARY 2008	Item : JC11.14-121
-----------	----------------------	--------------------

Location :	Change from :	Change to :
PAGE 1	NEW POSITIONAL TOLERANCE	Φ 0.10 $\text{\textcircled{M}}$ $\text{\textcircled{C}}$ $\text{\textcircled{B}}$ $\text{\textcircled{A}}$
PAGE 1	EDIT GD&T CONTROL FRAMES	REMOVE DIAMETER SYMBOLS
PAGE 1	NEW TEXT	"(OPTIONAL NOTCH)"
PAGE 1	Φ \emptyset 0.10 $\text{\textcircled{M}}$ $\text{\textcircled{C}}$ $\text{\textcircled{B}}$ $\text{\textcircled{A}}$	Φ 0.10 $\text{\textcircled{M}}$ $\text{\textcircled{C}}$ $\text{\textcircled{B}}$
PAGE 2	CHAMFER 0.25/0.05	CHAMFER 0.35/0.05
PAGE 2	EDIT GD&T CONTROL FRAME	COMPOSITE TOLERANCE
PAGE 5	DEFINE DDR2 VOLTAGE KEY	DDR2 & 1.8 V
PAGE 5	DEFINE DDR3 VOLTAGE KEY	DDR3 & 1.5 V
PAGE 6 (NOTE 9)	JC-42.5	JC-45
PAGE 7	NEW PAGE	ADDED CHANGE RECORD PAGE
PAGES 1 TO 7	REVISED TITLE	INCLUDE TEXT "DDR3"

Issue :	Date :	Item :
---------	--------	--------

Location :	Change from :	Change to :