

TuffDrive™

Industrial VSS Series SlimSATA (MO-297)

Densities: 4GB- 32GB



DESCRIPTION:

The Virtium TuffDrive™ VSS Series SlimSATA (MO-297) product family is an industrial and commercially temperature rated SATA Flash solution in the JEDEC MO-297 form factor. It is designed for a wide range of applications that have high speed, low cost, and long product lifecycle support requirements and also require shock and vibration ruggedization.

Virtium is committed to B.O.M. control over the life of a customer's application. The Virtium TuffDrive™ SATA VSS Series is available in a broad range of densities from 4GB to 32GB and features speeds up to 110MB/s read and 70MB/s write. The Slim SATA VSS Series is available in both standard and high density and PCB layouts.

The Virtium TuffDrive™ Difference:

- Enhanced firmware/hardware circuits with support of dedicated FAE at customer's site to overcome complicated SATA host compatibility or OS issues.
- Custom testing to meet customer requirements and resolve SATA issues—power cycling, data corruption, endurance, and ECC Errors.
- Specialize in industrial-grade flash storage solutions for embedded systems and providing B.O.M control

FEATURES:

Industrial temperature -40° to +85° C

SlimSATA (JEDEC MO-297) SATA II Interface

4GB to 32GB SLC NAND FLASH

Speeds up to 110MB/s read; 70MB/s write

Enhanced Power cycling to prevent data corruption as well as S.M.A.R.T. command support; Write protection and ECC

Static Wear Leveling Support

Compliance with CE, FCC and ROHC requirements

BENEFITS:

Long-term sustainable product lifecycle support—5 years minimum.

B.O.M. Control results in consistent, compatible and reliable product performance.

Consistent supply and advanced product change notification helps to avoid manufacturing interruptions.

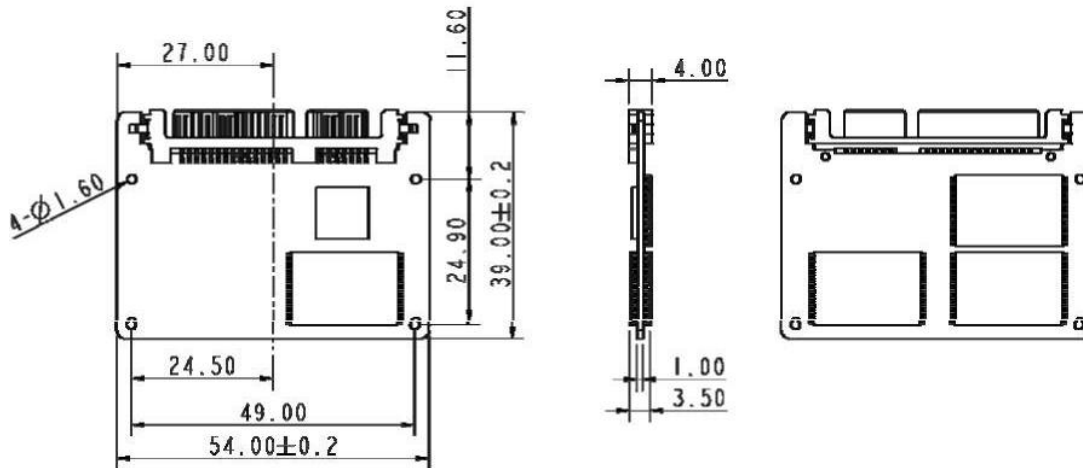
APPLICATIONS:

Embedded Systems, Military, Aerospace, Networking/Telecom, Storage Server, Medical, Gaming

Virtium TuffDrive™ Industrial SlimSATA Product family

Family	DENSITY	OPERATING TEMP.	READ SPEED	WRITE SPEED	FLASH TYPE	INTERFACE	P/N
VSS100	4GB	-40° to +85°C	110MB/s	70MB/s	SLC	SATA II	VSS1-04G-SDIS-AA
VSS100	8GB	-40° to +85°C	110MB/s	70MB/s	SLC	SATA II	VSS1-08G-SDIS-AA
VSS100	16GB	-40° to +85°C	110MB/s	70MB/s	SLC	SATA II	VSS1-16G-SDIS-AA
VSS100	32GB	-40° to +85°C	110MB/s	70MB/s	SLC	SATA II	VSS1-32G-SDIS-AA

Mechanical Outlines



**Standard Form Factor Shown

Virtium TuffDrive™ Commercial SlimSATA Product family

Family	DENSITY	OPERATING TEMP.	READ SPEED	WRITE SPEED	FLASH TYPE	INTERFACE	P/N
VSS100	4GB	0° to +70°C	110MB/s	70MB/s	SLC	SATA II	VMS1-04G-SDCS-AA
VSS100	8GB	0° to +70°C	110MB/s	70MB/s	SLC	SATA II	VMS1-08G-SDCS-AA
VSS100	16 GB	0° to +70°C	110MB/s	70MB/s	SLC	SATA II	VMS1-16B-SDCS-AA
VSS100	32 GB	0° to +70°C	110MB/s	70MB/s	SLC	SATA II	VMS1-32G-SDCS-AA
VSS200	4GB	0° to +70°C	230MB/s	170MB/s	SLC	SATA II	VSS2-04G-SDCS-AA
VSS200	8GB	0° to +70°C	230MB/s	170MB/s	SLC	SATA II	VSS2-08G-SDCS-AA
VSS200	16GB	0° to +70°C	230MB/s	170MB/s	SLC	SATA II	VSS2-16G-SDCS-AA
VSS200	32GB	0° to +70°C	230MB/s	170MB/s	SLC	SATA II	VSS2-32G-SDCS-AA



Virtium Technology provides memory and solid state storage solutions for single board computers and high-reliability systems.

30052 Tomas, Rancho Santa Margarita, CA 92688 USA Tel 949.888.2444 www.virtium.com

Copyright ©2012 Virtium Technology, Inc. All rights reserved. Referenced products are trademarks or registered trademarks of their respective owners.